

ATTENTION:
 ATC IS NOT RESPONSIBLE FOR CLEARANCE OF VEHICLE
 UNTIL CUSTOMER/DEALER COMPLETES VEHICLE CLEARANCE
 FORM AND IS VERIFIED BY ATC ENGINEERING DEPARTMENT.

**DIMENSIONS ARE NOMINAL. STRUCTURAL MEMBERS OFTEN DICTATE
 WHERE INTERIOR FEATURES CAN BE PLACED. CONSEQUENTLY, SOME
 DIMENSIONED ITEMS RETAIN A +/- 2" TOLERANCE. CRITICAL (BUBBLED)
 DIMENSIONS WILL RETAIN A TOLERANCE OF +/- 1/4".**

NOTES:
 1. SQUARE NOSE GOOSENECKS NOT RECOMMENDED WITH SHORT BED TRUCKS

CBA
 CBA

BOM TABLE				
ITEM NO	PART NO	FILE NAME	DESCRIPTION	QTY
1		AXLE - TORSION-SIMPLIFIED	7000#, HF-93 OB-78, 22.5° Up	3
2		BATTERY	AGM, 775 CCA	2
3		COUPLER, GOOSENECK	25,000#	1
4	90971	D-RING - RECESSED	5,000#	1
10		HYDRAULIC PUMP - 12V - JACKS	12V - 2500 PSI	1
11		HYDRAULIC PUMP	Slideout Pump	1
12		JACKS (LANDING GEAR), GN	HYDRAULIC, 24,000# RATING/PR	1
13		LIFT, STRAP	SINGLE PULLY W/3 1/2" SHAFT	1
14		LIGHT, DOME	SURFACE MOUNT	2
15		OUTLET, ELECTRICAL	12V STUB WIRES	1
16		SCISSOR JACK	24" - 5000#	2
18		SWITCH STRAP LIFT		1
19		TIRES	235/85/16	6
20		VENT, ROOF	VENT - ROOF - 12V	1
21		WHEEL WELL - AL-219889	8.5 x 12.0 x 124.0	1
22		WHEEL WELL - AL-219889	7.5 x 12.0 x 36.0	3

REVISION TABLE

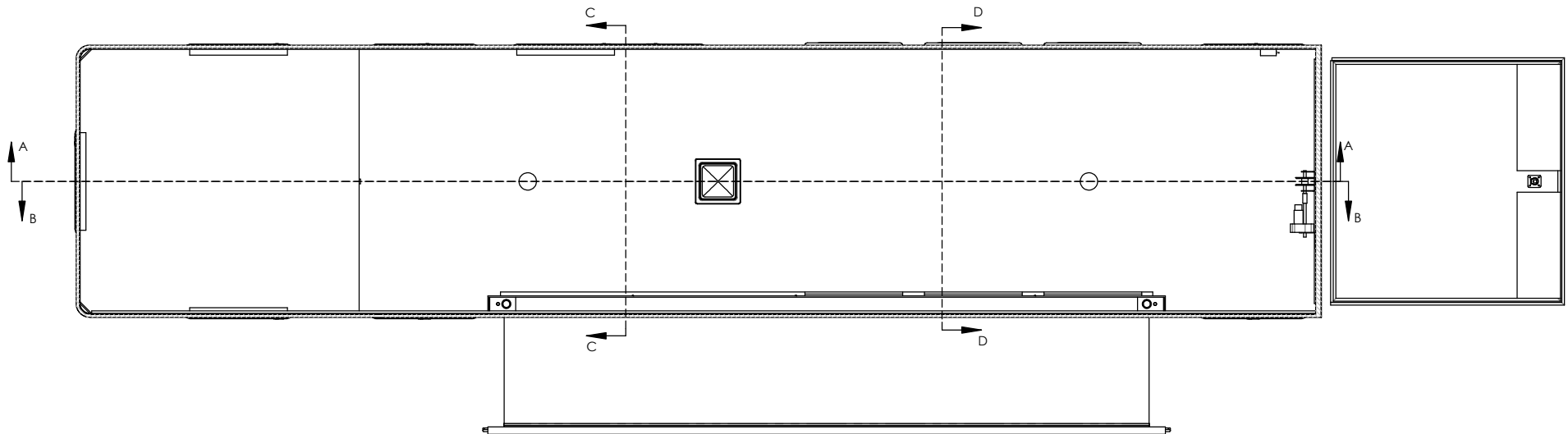
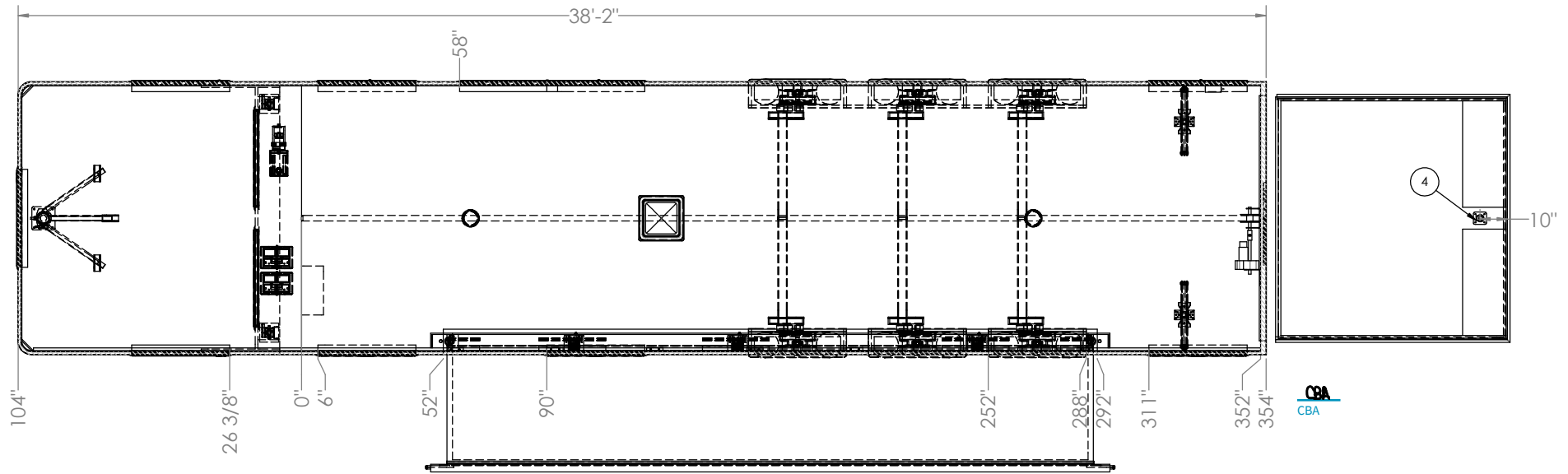
REV.	DESCRIPTION	DATE	DONE BY
A	ADDED ENTRANCE DOOR; ADDED SLIDE OUT PLATFORM; NOTES AND DIMENSIONS	11/20/2019	HTY
B	MOVED ENTRANCE DOOR	11/25/2019	HTY

**ALL LOCATIONS ARE NOMINAL UNLESS CRITICAL
 DIMENSIONS ARE SPECIFICALLY NOTED**

PROPRIETARY AND CONFIDENTIAL:
 THE INFORMATION CONTAINED IN THIS DRAWING IS THE SOLE
 PROPERTY OF THE ALUMINUM TRAILER COMPANY. ANY
 REPRODUCTION IN PART OR AS A WHOLE WITHOUT THE WRITTEN
 PERMISSION OF THE ALUMINUM TRAILER COMPANY IS PROHIBITED.



TITLE: 8.5' x 38' QUEST STEEL GN			
DRAWN BY: HTY	DATE: 11/12/19	VIN/PART # 219889	REV. B
FILE NAME: DW-BP 8538-Midway-Allen-219889			
SCALE:1:27	DATE PRINTED: 11/25/2019	SHEET 1 OF 6	

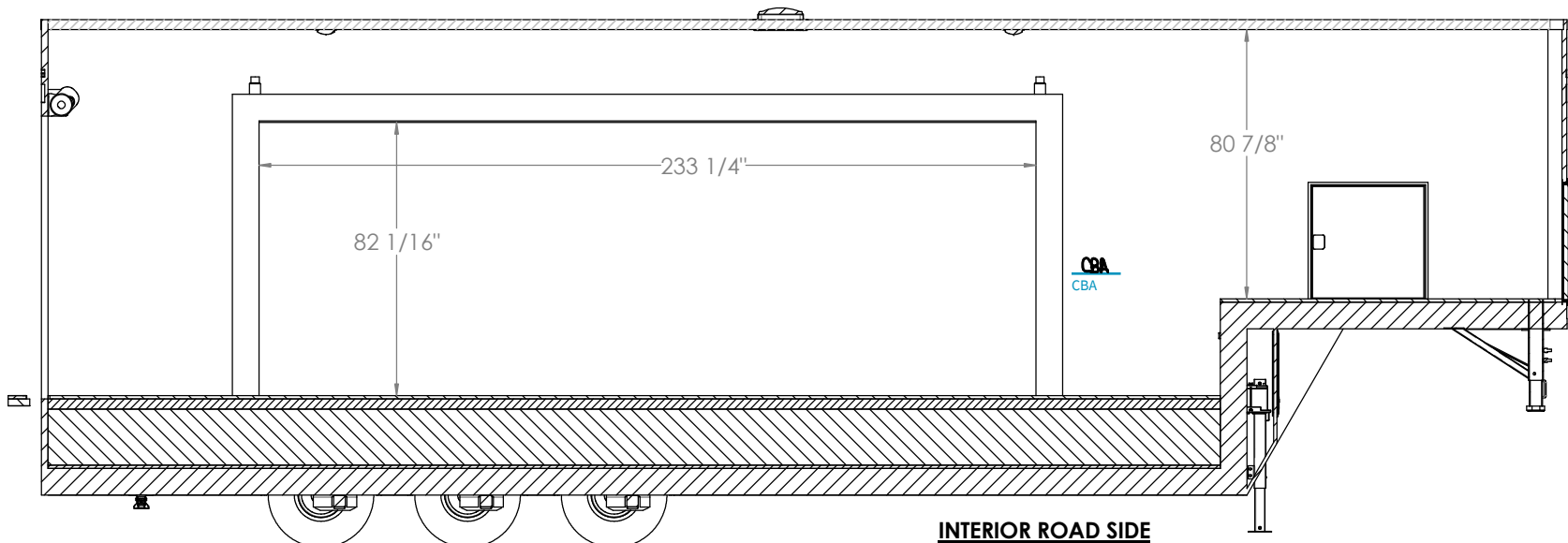
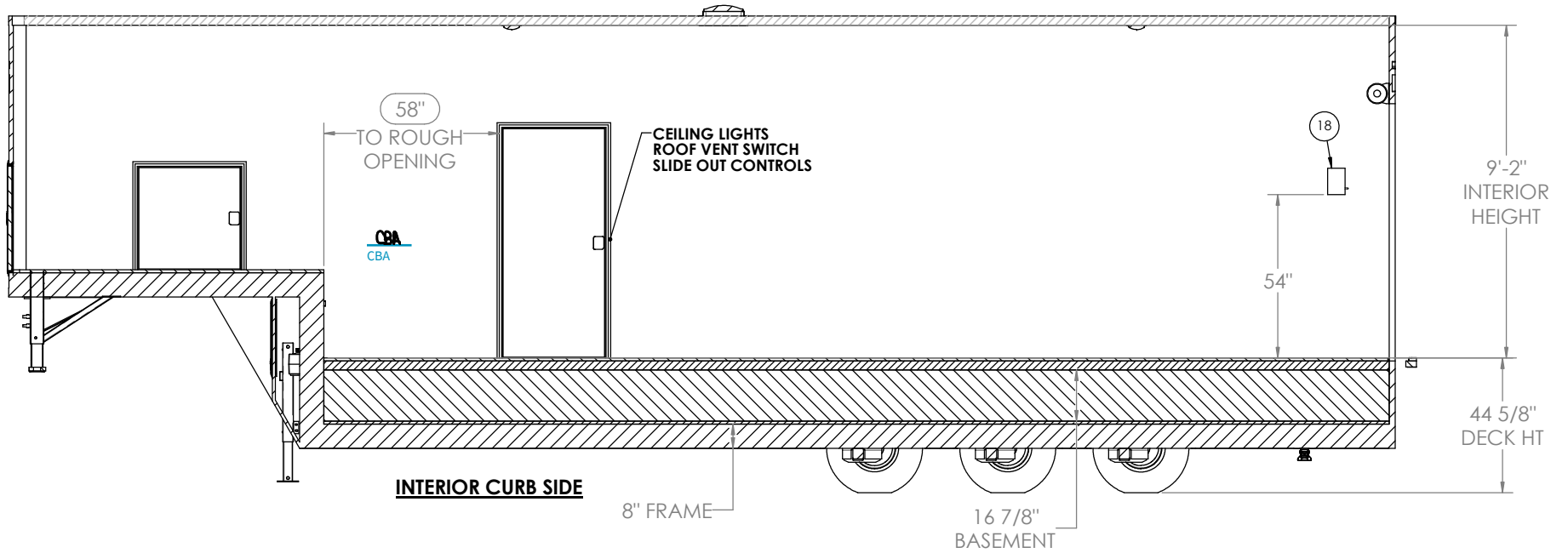


ALL LOCATIONS ARE NOMINAL UNLESS CRITICAL DIMENSIONS ARE SPECIFICALLY NOTED

PROPRIETARY AND CONFIDENTIAL:
 THE INFORMATION CONTAINED IN THIS DRAWING IS THE SOLE
 PROPERTY OF THE ALUMINUM TRAILER COMPANY. ANY
 REPRODUCTION IN PART OR AS A WHOLE WITHOUT THE WRITTEN
 PERMISSION OF THE ALUMINUM TRAILER COMPANY IS PROHIBITED.



TITLE: 8.5' x 38' QUEST STEEL GN			
DRAWN BY: HTY	DATE: 11/12/19	VIN/PART # 219889	REV. B
FILE NAME: DW-BP 8538-Midway-Allen-219889			
SCALE: 1:29	DATE PRINTED: 11/25/2019	SHEET 2 OF 6	

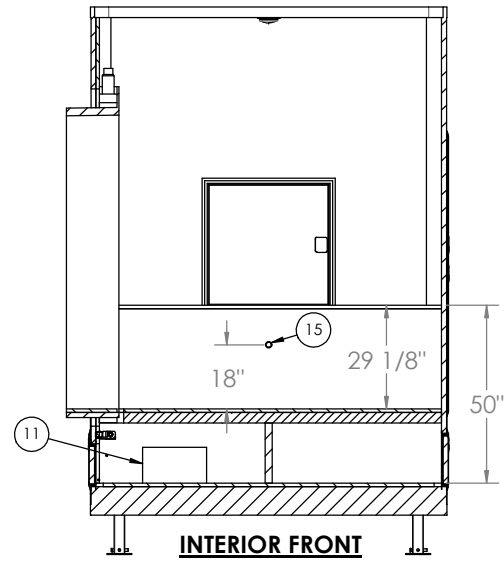
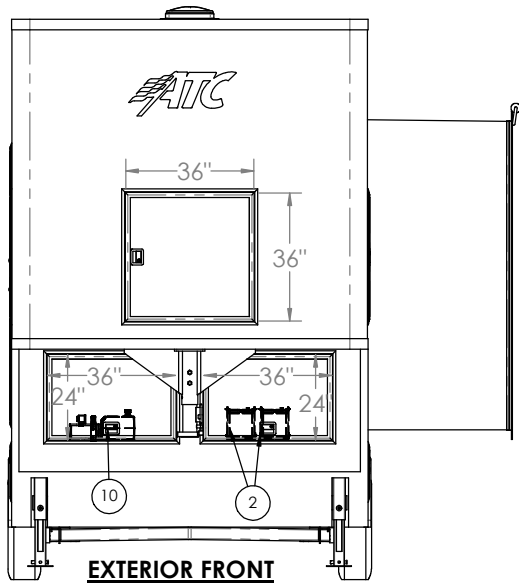


ALL LOCATIONS ARE NOMINAL UNLESS CRITICAL DIMENSIONS ARE SPECIFICALLY NOTED

PROPRIETARY AND CONFIDENTIAL:
THE INFORMATION CONTAINED IN THIS DRAWING IS THE SOLE PROPERTY OF THE ALUMINUM TRAILER COMPANY. ANY REPRODUCTION IN PART OR AS A WHOLE WITHOUT THE WRITTEN PERMISSION OF THE ALUMINUM TRAILER COMPANY IS PROHIBITED.

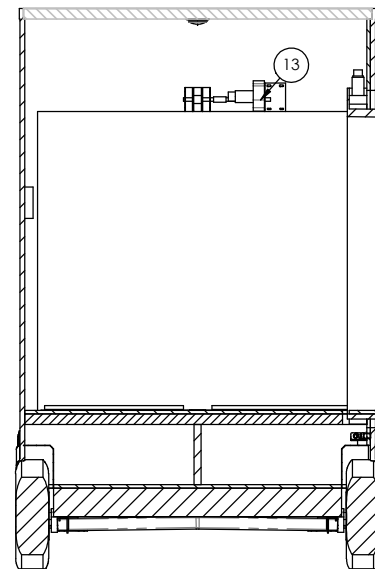
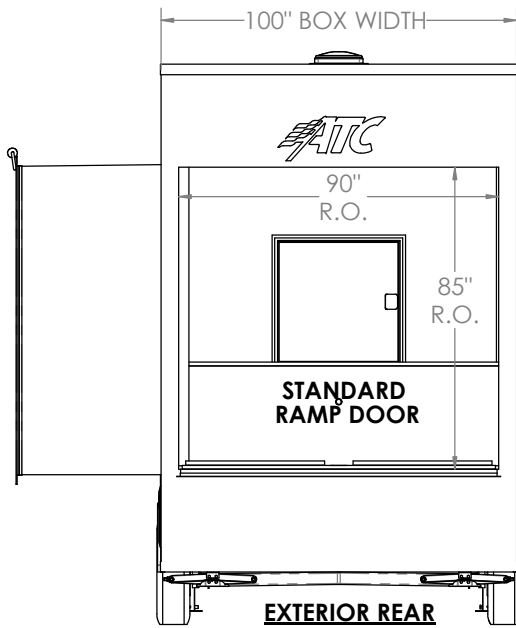


TITLE: 8.5' x 38' QUEST STEEL GN			
DRAWN BY: HTY	DATE: 11/12/19	VIN/PART # 219889	REV. B
FILE NAME: DW-BP 8538-Midway-Allen-219889			
SCALE:1:27	DATE PRINTED: 11/25/2019	SHEET 3 OF 6	



CBA
CBA

CBA
CBA



ALL LOCATIONS ARE NOMINAL UNLESS CRITICAL DIMENSIONS ARE SPECIFICALLY NOTED

PROPRIETARY AND CONFIDENTIAL:
THE INFORMATION CONTAINED IN THIS DRAWING IS THE SOLE PROPERTY OF THE ALUMINUM TRAILER COMPANY. ANY REPRODUCTION IN PART OR AS A WHOLE WITHOUT THE WRITTEN PERMISSION OF THE ALUMINUM TRAILER COMPANY IS PROHIBITED.

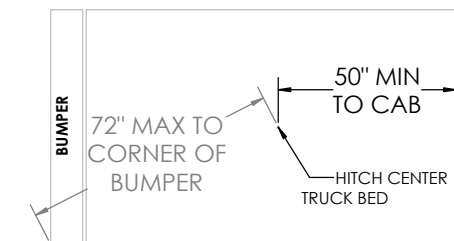
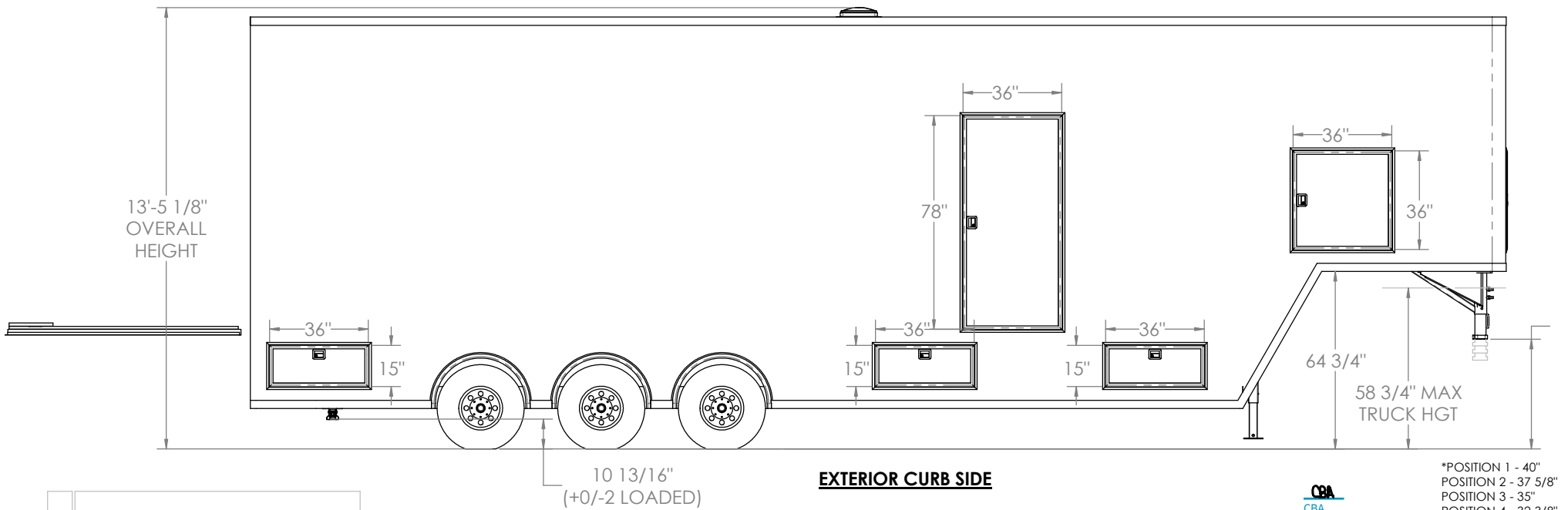
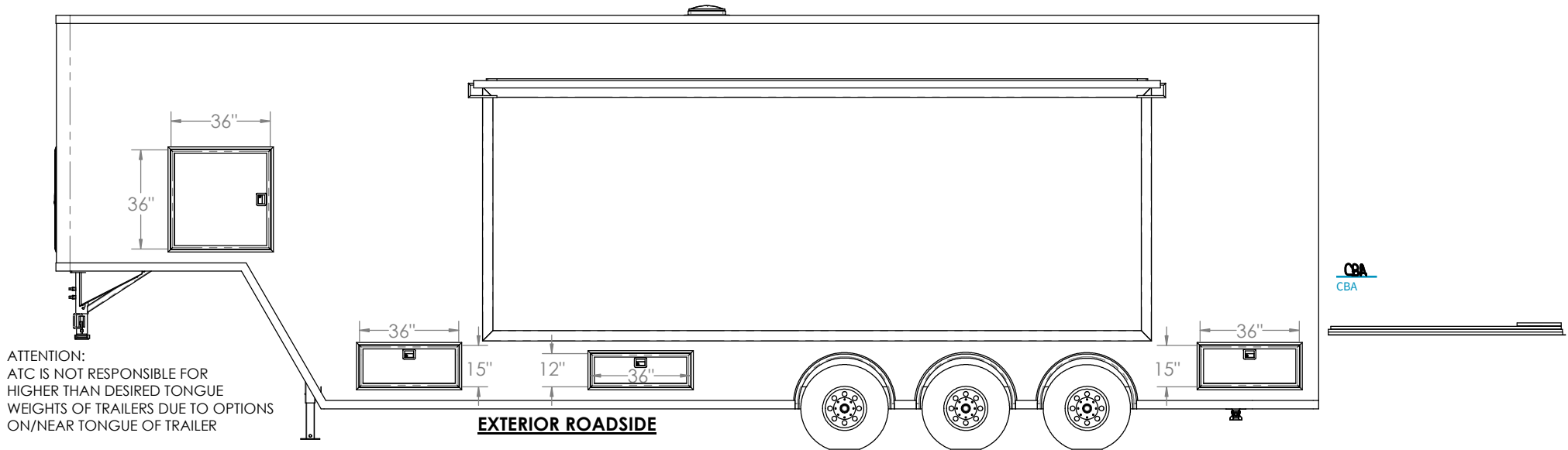
INTERIOR REAR



TITLE:
8.5' x 38' QUEST STEEL GN

DRAWN BY: HTY	DATE: 11/12/19	VIN/PART # 219889	REV. B
------------------	-------------------	-----------------------------	------------------

FILE NAME: DW-BP 8538-Midway-Allen-219889	SCALE: 1:27	DATE PRINTED: 11/25/2019	SHEET 4 OF 6
---	-------------	--------------------------	--------------



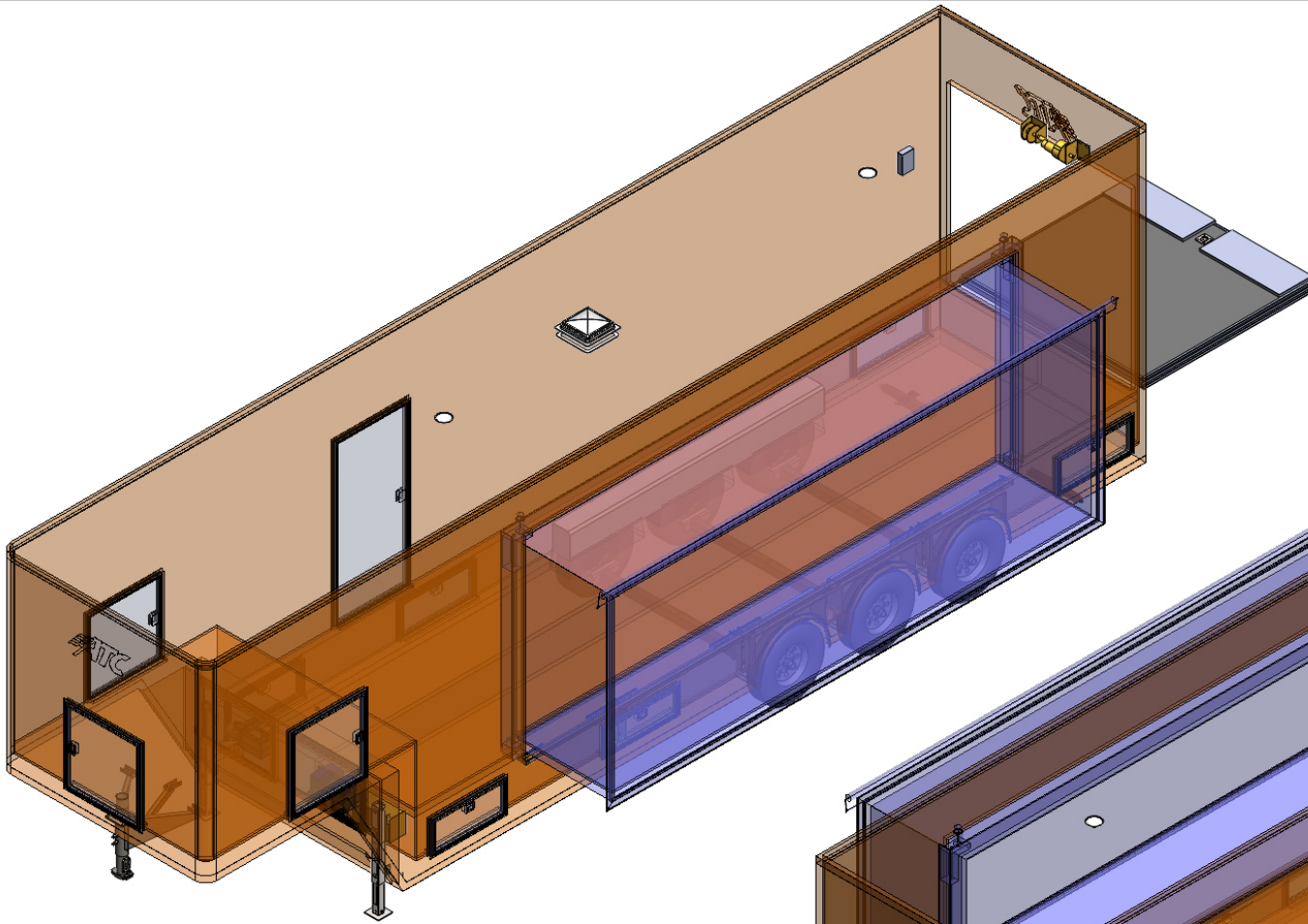
ATTENTION:
PLEASE REVIEW THE SPECIFIC GOOSENECK PIN DIMENSIONS AND TOW VEHICLE CLEARANCES. YOUR SIGNATURE OF THIS PRINT INDICATES YOUR ACCEPTANCE OF THESE DIMENSIONS.

ALL LOCATIONS ARE NOMINAL UNLESS CRITICAL DIMENSIONS ARE SPECIFICALLY NOTED

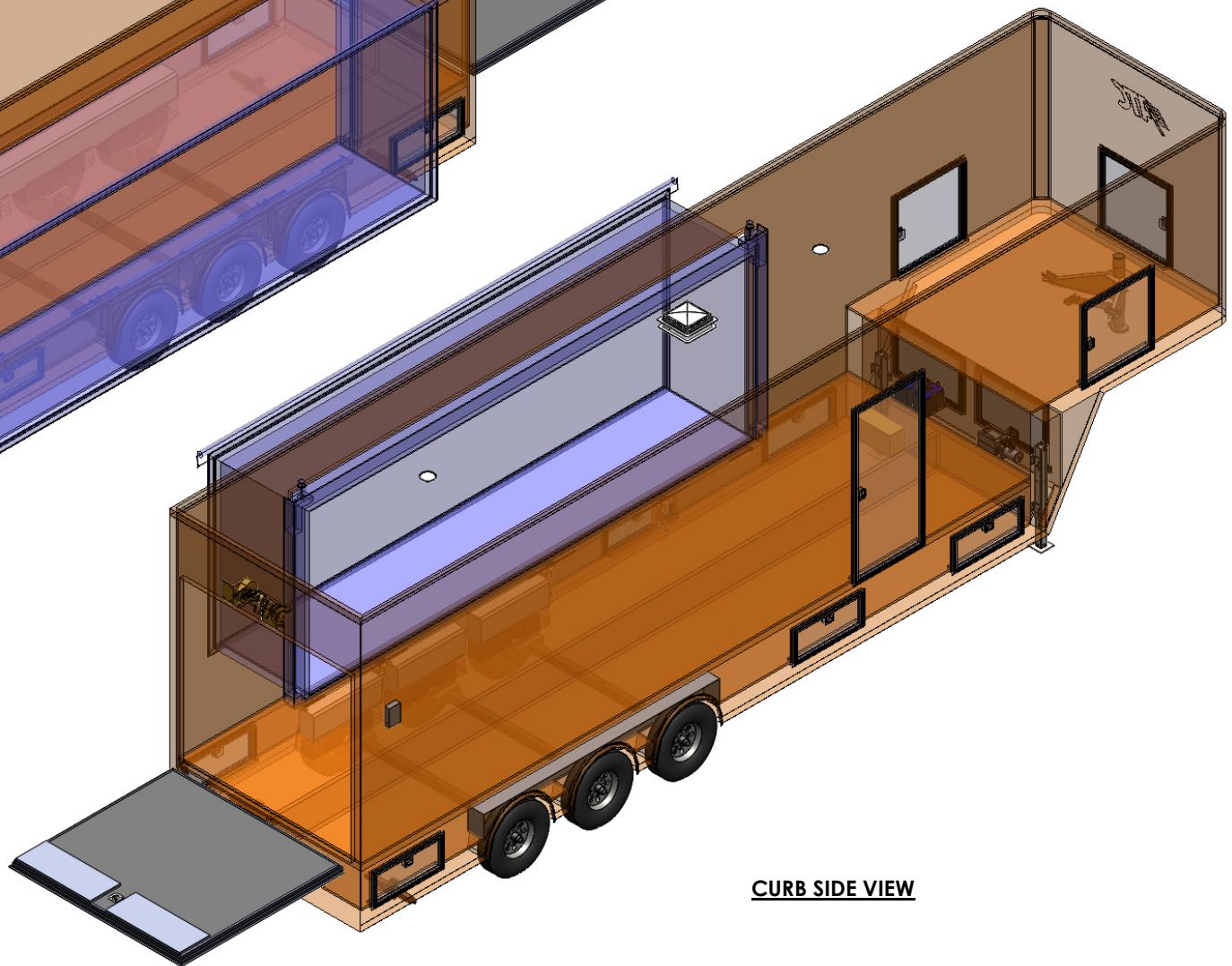
PROPRIETARY AND CONFIDENTIAL:
THE INFORMATION CONTAINED IN THIS DRAWING IS THE SOLE PROPERTY OF THE ALUMINUM TRAILER COMPANY. ANY REPRODUCTION IN PART OR AS A WHOLE WITHOUT THE WRITTEN PERMISSION OF THE ALUMINUM TRAILER COMPANY IS PROHIBITED.



TITLE: 8.5' x 38' QUEST STEEL GN			
DRAWN BY: HTY	DATE: 11/12/19	VIN/PART # 219889	REV. B
FILE NAME: DW-BP 8538-Midway-Allen-219889			
SCALE: 1:27	DATE PRINTED: 11/25/2019	SHEET 5 OF 6	



ROAD SIDE VIEW



CURB SIDE VIEW

Chadwick B Allen

Chadwick B Allen (Nov 26, 2019)

Nov 26, 2019

ALL LOCATIONS ARE NOMINAL UNLESS CRITICAL DIMENSIONS ARE SPECIFICALLY NOTED

PROPRIETARY AND CONFIDENTIAL:
THE INFORMATION CONTAINED IN THIS DRAWING IS THE SOLE PROPERTY OF THE ALUMINUM TRAILER COMPANY. ANY REPRODUCTION IN PART OR AS A WHOLE WITHOUT THE WRITTEN PERMISSION OF THE ALUMINUM TRAILER COMPANY IS PROHIBITED.



TITLE: 8.5' x 38' QUEST STEEL GN			
DRAWN BY: HTY	DATE: 11/12/19	VIN/PART # 219889	REV. B
FILE NAME: DW-BP 8538-Midway-Allen-219889			
SCALE:1:32	DATE PRINTED: 11/25/2019	SHEET 6 OF 6	